



SINCE 1909  
JAPAN



## Ventilating Fan

Shutter Series

Moisture & Smell Exhauster



Air Backflow  
Prevention



Easy Installation



Energy Saving



10EGSB  
15EGSB

## Speedy Odour Exhaustion



Foul smell can be quite noticeable after using the toilet. This unpleasant odour can stay without good ventilation. KDK ventilating fan can exhaust smelly air to resume a fresh comfortable room.

## Excess Moisture Removal



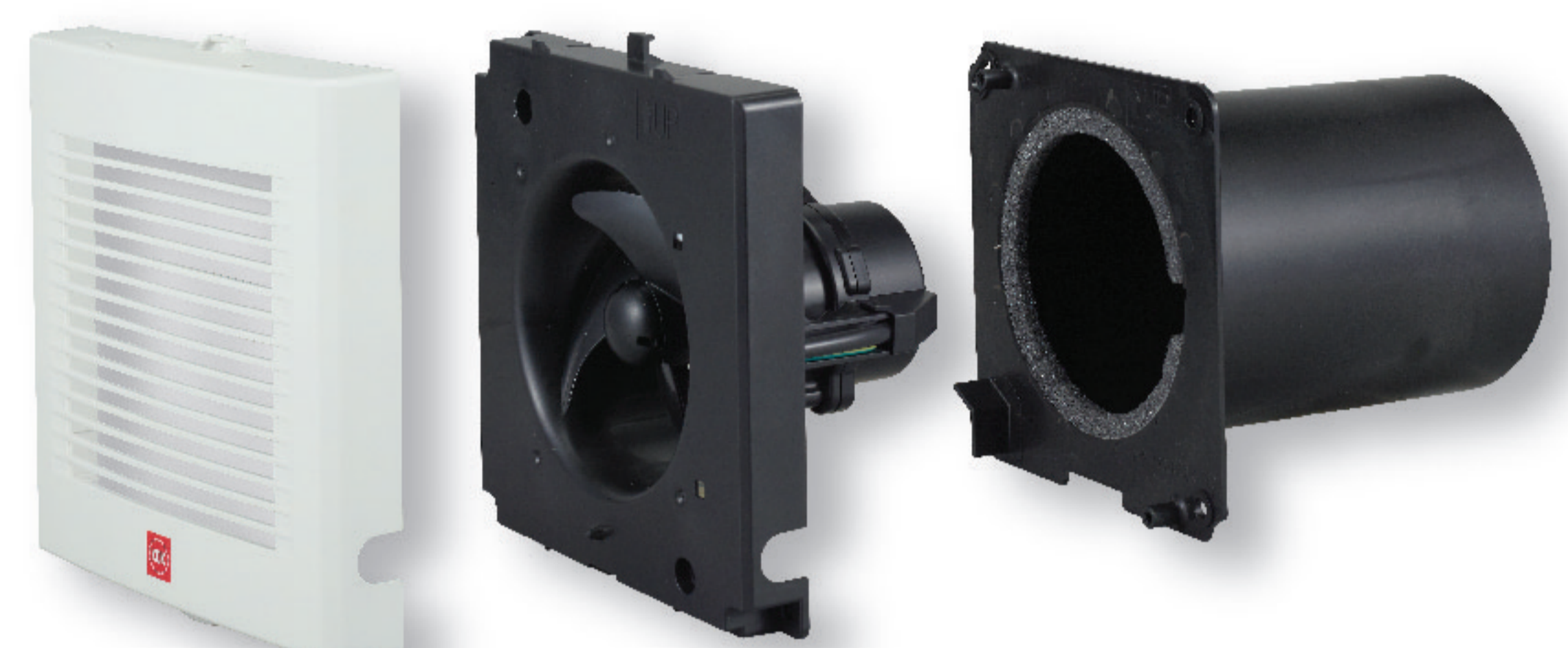
Excess moisture in your bathroom creates conditions for molds to grow. This may deteriorate the room interior and cause potential threats to health. KDK ventilating fan can remove moist air to prevent these potential risks.



Compact & Stylish

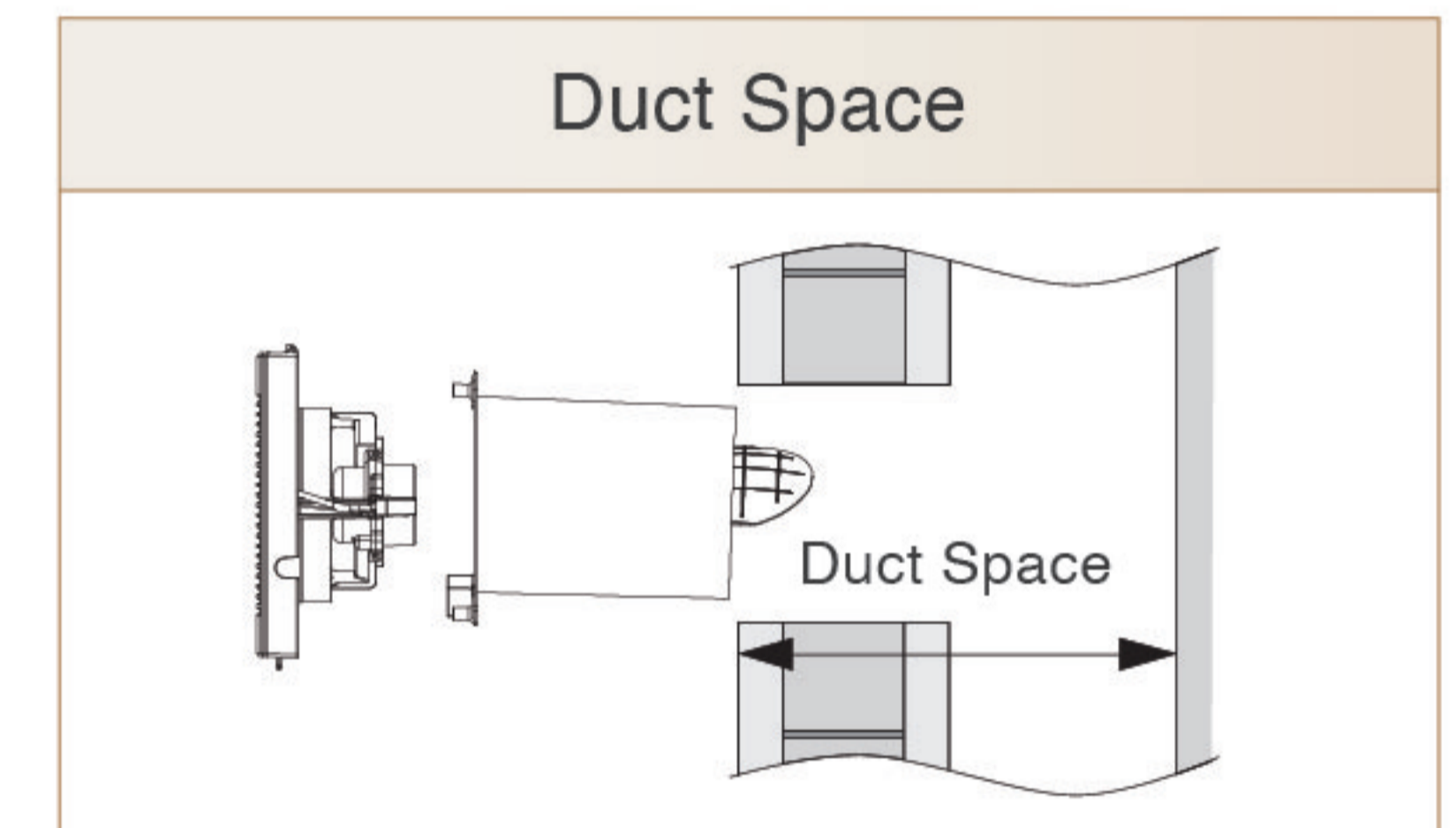
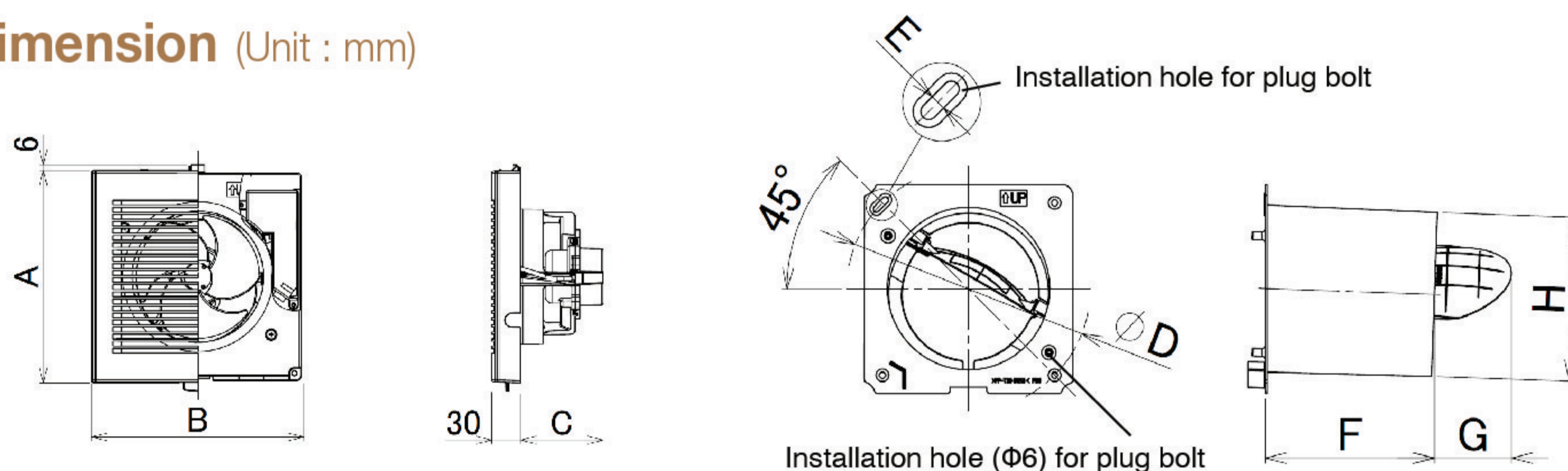
## Shutter Series

- Low noise level
- Low energy consumption
- Back draft shutter equipped
- Air backflow prevention
- Safety / Thermal Fuse



All accessories included

### Dimension (Unit : mm)



Model	A	B	C	D	E	F	G	H
10EGSB	170	170	83	177	6	145	45	111
15EGSB	220	220	86	231	6	155	74	155

### Specification

Model	Voltage [V]	Frequency [Hz]	Air Volume [CMH]	Consumption [W]	Noise [dB(A)]	Speed [RPM]	Wall Installation		Ceiling Installation	Net Weight [kg]
							Hole Size [mm]	Duct Space [mm]	Hole Size [mm]	
10EGSB	110	60	75	3.4	35.0	2,740	Ø120-125	>205	Ø130~140	0.8
	127	60	85	4.2	36.0	3,005				
	220	50	76	4.3	35.0	2,665				
	230	50	77	4.6	35.0	2,670				
	240	50	77	5.0	35.0	2,685				
	220	60	87	4.7	37.5	3,140				
15EGSB	230	60	88	5.1	38.5	3,180	Ø165-170	>240	Ø175~185	1.0
	110	60	165	5.8	38.5	2,340				
	127	60	190	7.4	40.5	2,670				
	220	50	155	5.7	36.0	2,130				
	230	50	160	6.1	37.0	2,230				
	240	50	165	6.5	37.0	2,240				
220	60	180	6.1	40.0	2,470					
230	60	185	6.5	40.0	2,580					

Notes:

1. The value of power consumption, air volume and noise are specified at the static pressure of 0 Pa.
2. The value of air volume is the mean value which is measured by our company.
3. The value of noise level is measured at 1m apart from the left, the right and the directly below of product, then get the average of three values.
4. The value of noise level is A weight average sound pressure level, the mean value is measured by our company.



SINCE 1909  
JAPAN

**KDK Company, Division of PES**  
4017, Takaki-cho, Kasugsi, Aichi, Japan  
<http://kdk.jp>

• Actual colors may vary slightly from those shown.  
• Specifications are subject to change without prior notice.

CATALOG NO: K-VF025

01.2024